

# LUCENDO

*Solar house number light*



**OPERATING  
INSTRUCTION**



Fig. 1



Fig. 4

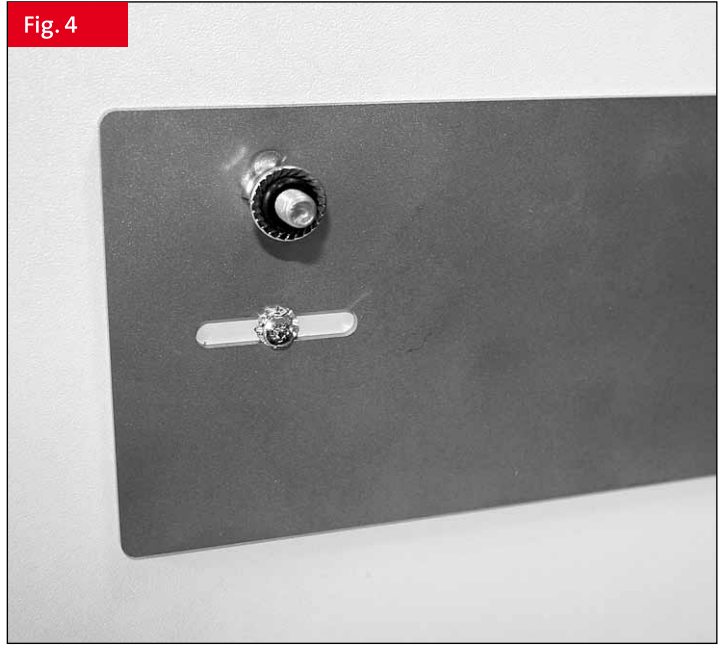


Fig. 2



Fig. 5



Fig. 3



Fig. 6



Fig. 7



Fig. 8

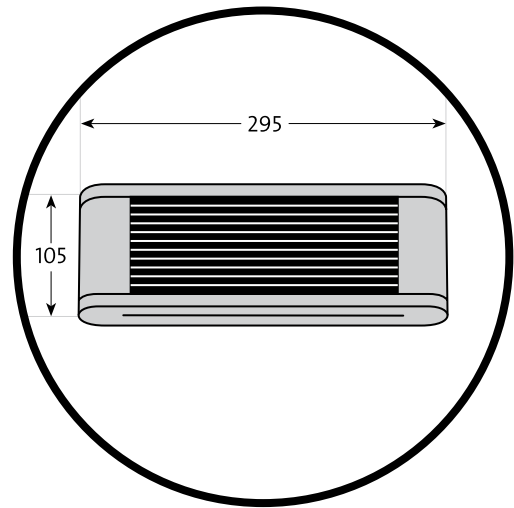
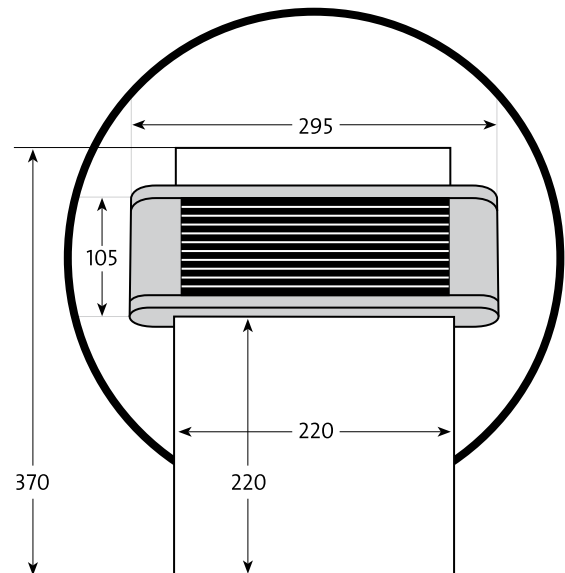


Fig. 9



**Congratulations**  
on the purchase of your environmentally friendly  
**LUCENDO** house number light from Würth Solar.

## Safety information

### for solar house number lighte LUCENDO

- Please read the complete Operating Instructions thoroughly before installation, as they contain important information.
- Unauthorized modification or conversion of the device is not permitted for reasons of safety and approval (CE).
- Packaging materials and electrical devices must be kept out of the reach of children. These products are not toys. Children cannot recognise the dangers that may arise in handling packaging materials and electrical devices.
- Only use our Würth Solar original battery pack. Ordinary batteries must not be used, as they must not be charged (danger of explosion).
- Keep the Operating Instructions safe in a suitable place.

## Proper usage

The product serves as a house number light for private use. The fitted solar module charges the replaceable battery pack during daylight. The fitted LEDs automatically switch on with the onset of darkness. The battery pack takes over the power supply of the LEDs.

The fitted LEDs switch off again at daybreak once there is sufficient environmental brightness. The battery is then recharged during the day. The product is designed for private use and not for commercial applications. Other usage than previously described is not permissible.

## Maintenance and cleaning

The house number light is maintenance-free, apart from replacement of the rechargeable battery pack as required. Clean the solar surface regularly to ensure optimal performance of the light. The house number light can be wiped with a damp cloth. Never use aggressive cleaners or solvents. Take care that the visible solar surface is not soiled or covered by snow and ice in the winter.

## Installation and initial operation

**IMPORTANT:** Select a suitable installation site. The house number light is weather resistant and should ideally be exposed to direct sunlight. In the case of wall mounting, ensure that electricity, gas and water lines etc. are not damaged. Observe the applicable accident prevention regulations. The fixtures supplied are not suitable for all mounting surfaces. Other dowels and screws must be used for insulated facades, for example. Check the state of the wall under all circumstances before starting installation. Check that the house number light is fixed in place at regular intervals, as the house number light falling down could injure persons and damage the light or floor. Avoid shading from trees, bushes and buildings, as battery charging is otherwise reduced or prevented. Ensure that the battery is charged on at least 3-4 sunny days per month. This extends the service life of the battery fitted.

## Installation

- Take the pre-installed LUCENDO house number light out of the packaging. Place your house number light on a surface insensitive to scratching (e.g. carpet or towel). This avoids scratches on the light and the surface.
- Now remove both hex screws on the lid of the light (Allen key is provided). **Fig. 1**
- After removing both screws you can now remove the lid of the light upwards with gentle force (aluminium body is slightly pre-stressed). **Fig. 2**
- Now loosen and remove both nuts (M6) with an open-ended spanner (jaw width 10) and remove the wall mount. **Fig. 3**
- Now install the wall mount horizontally at a suitable place. The fixture screws of the light must both be at the top. **Fig. 4** **Caution:** The screws and dowels provided are only suitable for solid masonry without thermal insulation.
- The light can then be placed on the wall again and fixed with both nuts. The wall mount screws come with sealing washers. Take care that these seals are centred on the holes of the light body. By moving from side to side you can detect when the seals are seated correctly. Now tighten the nuts. **Fig. 5**
- Now take the battery pack out of the packaging and place it between the back panel of the light and the light unit (module). Take care that the cables coming from the battery pack point towards the middle of the light. Now connect the cable from the battery pack to the light unit. The plug can only be connected correctly in one position – or simply observe the colour coding. **Fig. 6** LEDs light up briefly on connection. Your light is now ready for operation. Please check again that both electrical connections are correct and tight before fitting the lid (battery and module). Important: All cables should be routed to the middle of the light; this avoids damage caused by the subsequent insertion of screws. **Fig. 7**
- Now position the light lid on the rear side so it then closes it to the front. Gently press the two top corners of the aluminium body inwards, as the aluminium body is slightly pre-stressed for technical reasons. Take care that the fixture screws for the acrylic glass plate are on the rear side. **Fig. 8**
- Now simply insert the two hexagonal screws correctly, position and tighten again with the Allen key. **Fig. 9**

## Initial operation

After removing the transport packaging and installing at a suitable site, the house number light requires 3-4 sunny days to completely charge the battery fitted.

## Battery change

The Ni/Mh battery pack fitted is an expendable part. The service life is very much dependent on the ambient temperature and the number of charging cycles.

**STEP 1:** Remove the lid of the house number light by loosening the screws on the lid (Allen key is provided). **Figs. 1+2**

**STEP 2:** Carefully pull the plug connector from the battery upwards and take the battery pack out of the light housing. Fitting the original Würth Solar battery pack takes place in the reverse order. **Figs. 6+7**

**STEP 3:** Check the correct fit of the plug connector again before fitting the lid. **Figs. 6+7**

Only use the Würth Solar original battery pack Ref. No. Z180 310



## General handling of house number lights

**IMPORTANT:** The illumination period of the house number light at night varies with the seasons, dependent on the period and intensity of the sunlight received during the day. In prolonged periods of bad weather without sufficient sunshine, especially during the winter, it may be the case that the charging state of the battery is too low to provide sufficient illumination for the night. The batteries are charged with less energy in the daytime than is expended at night. This necessarily means that the period of illumination is reduced.



## Disposal

Dispose of the product at the end of its service life in accordance with statutory regulations. Ordinary and rechargeable batteries containing poisons are labelled with symbols, which refer to the prohibition of disposal along with household waste. Disposal with household waste is therefore not permitted! The symbols for the relevant heavy metals are:

**Cd** = cadmium, **Hg** = mercury, **Pb** = lead. You will find these symbols among the refuse bin symbols. Bring used ordinary and rechargeable batteries to collection points in your community or anywhere batteries are sold.

**You thereby fulfil your legal obligations and make a contribution to environmental protection!**

## Technical Data

Solar module	Würth Solar GeneCIS module, 1.6 W
Rechargeable battery	Ni/Mh AA 4,8V / 2100 mAh
Light source	4 x LED, white
Illumination period at full load / 20°C	100 h
Anodised aluminium housing	approx. 300 mm x 110 mm
Acrylic glass depending on the mode	ca. 220 mm x 220 mm (220 mm x 40 mm)
Weight	approx. 4,5 kg



## Warranty

The warranty lasts 2 years from the date of purchase.

It covers:

- a) rectification of any faults at no charge provided they are caused by the use of imperfect materials in production or arise from the manufacturer's assembly errors and
- b) the replacement of the defective parts at no charge.

Warranty claims are excluded in the case of improper interference with the product or repairs carried out by the customer, which do not comply with the specifications in the Operating Instructions. Likewise, expendable parts are excluded from the warranty. If a warranty claim is made, proof of the date of purchase of the product is to be presented in the form of the sales receipt and the fully completed warranty card.

Insofar as is legally permissible, all liability for injury to persons, damage to property and consequential damages are excluded unless we act wilfully or with gross negligence.

In the case of a warranty claim, please contact:

### Würth Solar GmbH & Co. KG

Alfred-Leikam-Straße 25 · 74523 Schwäbisch Hall · Germany  
fon +49 (0) 791 946 00-0 · fax +49 (0) 791 946 00-119  
wuerth-solar@we-online.de · www.wuerth-solar.com

## Functional faults

### Fault 1: Light source fails to work at night

Possible causes:

- The battery is not fully charged.  
Wait for sunshine to charge the battery pack.
- Is the installation site ideal? Perhaps the incident light is insufficient for the solar module. Change the installation position.
- If the solar module is illuminated with extraneous light, e.g. street lighting, the activation threshold may not be reached.  
Carry out a test at night: Darken the solar module by placing your palm on it. If the light source switches on, there is extraneous light. Change the installation position.

### Fault 2: Operating time too short in darkness

Possible causes:

- The battery is not fully charged.  
Wait for sunshine to charge the battery pack.
- Battery pack worn out.  
Replace battery pack with a new Würth Solar battery pack.

## Further products from Würth Solar

Würth Solar products excel by virtue of their high standards of functionality, quality and design. You will find further solar-powered products on our homepage – obtain an overview of varied application options at [www.wuerth-solar.com](http://www.wuerth-solar.com)

## SUNNY TIMES

Besides the LUCENDO, Würth Solar offers a whole range of other ideas with which you can harness the power of the sun.

## MOBILE ENERGY SUPPLY

*For leisure, hobby and home*

The Mobile Energy Supply is a convincing all-round system with perfectly matched components: powerful GeneCIS photovoltaic module, intelligent base station with battery and design lantern.

The Mobile Solar Power Supply won the „Focus Energy in Gold” prize at the International Design Award Baden-Württemberg 2006.



## SOLAR GARAGE DOOR OPENER

*The solution for non-electric garages*

The Würth Solar Garage Door Opener effortlessly and conveniently opens and closes your garage door at the press of a button even if your garage is not connected to the public electricity grid. All common garage doors are easy to retrofit with this system.

The Solar Garage Door Driver won the „Focus Energy in Silver” prize at the International Design Award Baden-Württemberg 2006.



## GRID-COUPLED PHOTOVOLTAIC SYSTEMS

*For private residences or commercial sites*

Photovoltaic systems from Würth Solar not only allow you to make a contribution to protecting our environment. It is also worth thinking about photovoltaics from an investment perspective. Würth Solar would be pleased to inform you at a photovoltaic information evening near you.



*Do you have any more questions?*

*Then contact us – we look forward to hearing from you!*